

RIGHT WEIGH



Installation Manual

REMOTE TRAILER SYSTEM WIRING HARNESS

For Drop & Hook | 224-SK

For additional support contact:

United States and Canada:

Right Weigh, Inc.
(888) 818-2058
www.rwls.com
support@rwls.com

Australia and New Zealand:

Smart Truck Solutions
+61 418 622840
rightweigh.com.au

RIGHT WEIGH



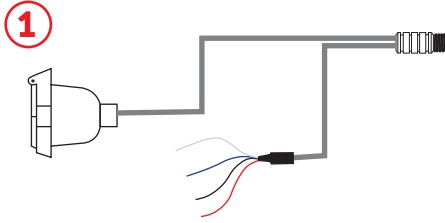
Right Weigh, Inc.
Hillsboro, Oregon USA

PP-003-0062 Revision A
February 2020

INSTALLATION



PARTS INCLUDED:



Remote Trailer Scale to Socket Harness



5/16" Mounting Bolt

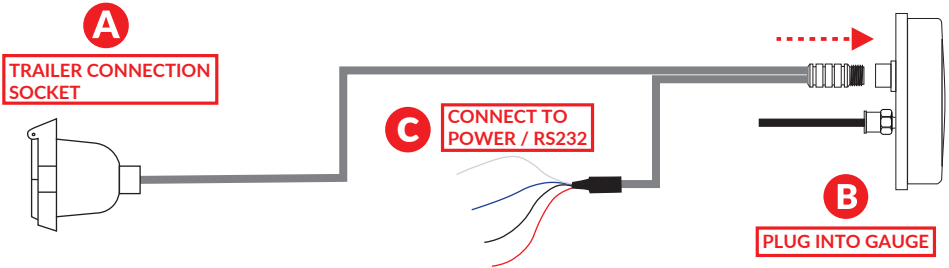
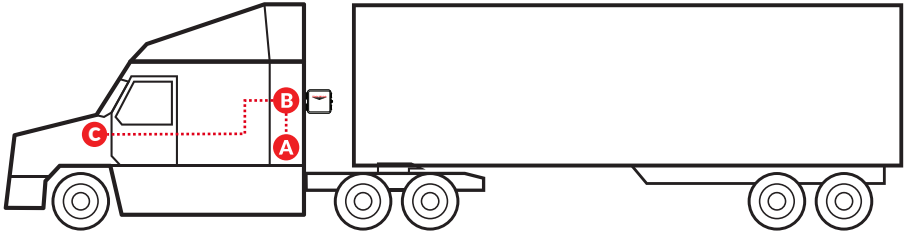


5/16" Flat Washer

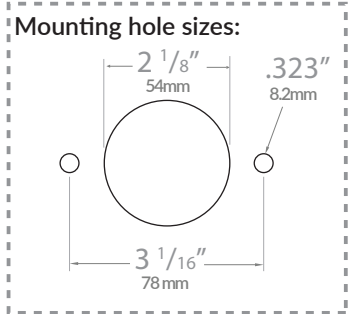
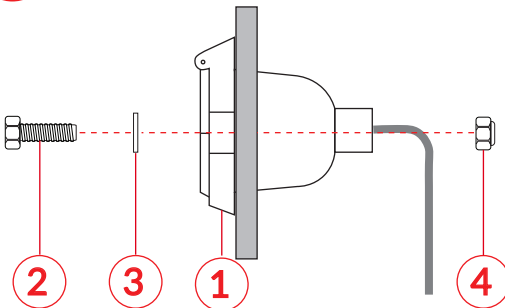


5/16" Nylon Insert Locknut

REMOTE TRAILER SYSTEM HARNESS:



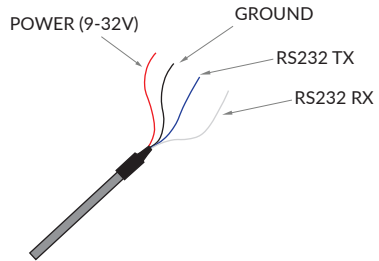
A MOUNTING TRAILER CONNECTION SOCKET:




C CONNECT HARNESS TO POWER / RS232:

The additional cable coming out of the 12-pin socket is used to power the scale and to transmit/receive vehicle data. Connect the **RED** wire to a switched positive (+) power source and the **BLACK** wire to chassis ground (-). The required supply voltage must be between 9 and 32 volts DC.

The white and blue wires are for RS232 communication (use is optional). The **BLUE** wire is output from the scale (TX) and the **WHITE** wire is input to the scale (RX). For more information about this feature, please contact Right Weigh Technical Support listed on page 2.



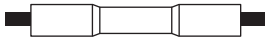


DO NOT connect directly to a battery or any constant power source, gauge should be connected to a switched source so that it can be disconnected from power when not in use. Most users connect the power to vehicle marker lights.

Electrical connections **MUST** be insulated!

ELECTRICAL INSULATION:

It is very important that all wiring connections be made watertight. Connections which are not watertight can allow moisture to travel through the individual strands of the wires and make it's way into the scale, causing permanent damage to the electronics.



Crimp each end of the wire into the connector with a wire crimp tool (tool not provided).

After crimping and heat shrinking



With a heat gun or heat torch, heat the connector until it shrinks completely around each wire end. Make sure you do not burn the wire jacket.

Add heat shrink



After heat shrinking



After all connections have been made, heat shrink the entire group of splices so that it seals on the outer jacket of both cables.

Thank you for choosing to drive more and scale less! Here at Right Weigh, we are committed to making our products simple to install and easy to use. We understand that installation can vary between vehicles and yours may not be described in this manual. In any event, our technical support team is ready to answer your questions!



(503) 628-0838
(888) 818-2058 - Toll Free (USA ONLY)
+61 418 622840 - Australia & New Zealand



support@rwls.com
leigh@rwlsau.com.au - Australia & New Zealand



www.rwls.com/how-to-calibrate-install/
rightweigh.com.au - Australia & New Zealand

IMPORTANT!

Please read instructions **COMPLETELY** and thoroughly before installation. Right Weigh, Inc. is not responsible or liable for product failure or vehicle damage due to improper installation. The installation requirements are outlined in this manual and should be followed thoroughly to avoid inaccuracy or damage to the product.

It is also important to be aware of vehicle manufacturer policies before making modifications to the vehicle. Right Weigh, Inc. is not liable or responsible for issues regarding warranties with other manufacturers. This is the responsibility of the customer. If you are unsure about how these installation practices apply to your vehicle, please contact your vehicle or component manufacturer.

FOLLOW US!

