

RIGHT WEIGH



Installation Manual

AIR LINE INSTALLATION KIT WITH CUT & SPLICE TUBING TEES | 103-SK

For additional support contact:

United States and Canada:

Right Weigh, Inc.
(888) 818-2058
www.rwls.com
support@rwls.com

Australia and New Zealand:

Smart Truck Solutions
+61 418 622840
rightweigh.com.au

RIGHT WEIGH



Right Weigh, Inc.
Hillsboro, Oregon USA

PP-003-0047 Rev A
December 2019

©2015-2019 Right Weigh, Inc. All rights reserved.

Thank you for choosing to drive more and scale less! Here at Right Weigh, we are committed to making our products simple to install and easy to use. We understand that installation can vary between vehicles and yours may not be described in this manual. In any event, our technical support team is ready to answer your questions!



(503) 628-0838

(888) 818-2058 - Toll Free (USA ONLY)

+61 418 622840 - Australia & New Zealand



support@rwls.com

leigh@rwlsau.com.au - Australia & New Zealand



www.rwls.com/how-to-calibrate-install/

rightweigh.com.au - Australia & New Zealand

IMPORTANT!

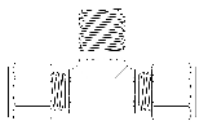
Please read instructions COMPLETELY and thoroughly before installation. Right Weigh, Inc. is not responsible or liable for product failure or vehicle damage due to improper installation. The installation requirements are outlined in this manual and should be followed thoroughly to avoid inaccuracy or damage to the product.

It is also important to be aware of vehicle manufacturer policies before making modifications to the vehicle. Right Weigh, Inc. is not liable or responsible for issues regarding warranties with other manufacturers. This is the responsibility of the customer. If you are unsure about how these installation practices apply to your vehicle, please contact your vehicle or component manufacturer.

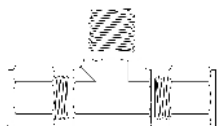
FOLLOW US!



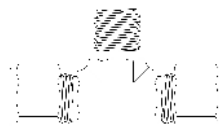
PARTS INCLUDED



1/4" (6mm*)
Male Branch Tee



5/16" (8mm)
Male Branch Tee



3/8"
Male Branch Tee



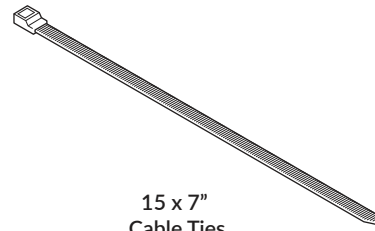
6mm Tube Ferrules




1/4" Tube to
Female NPT

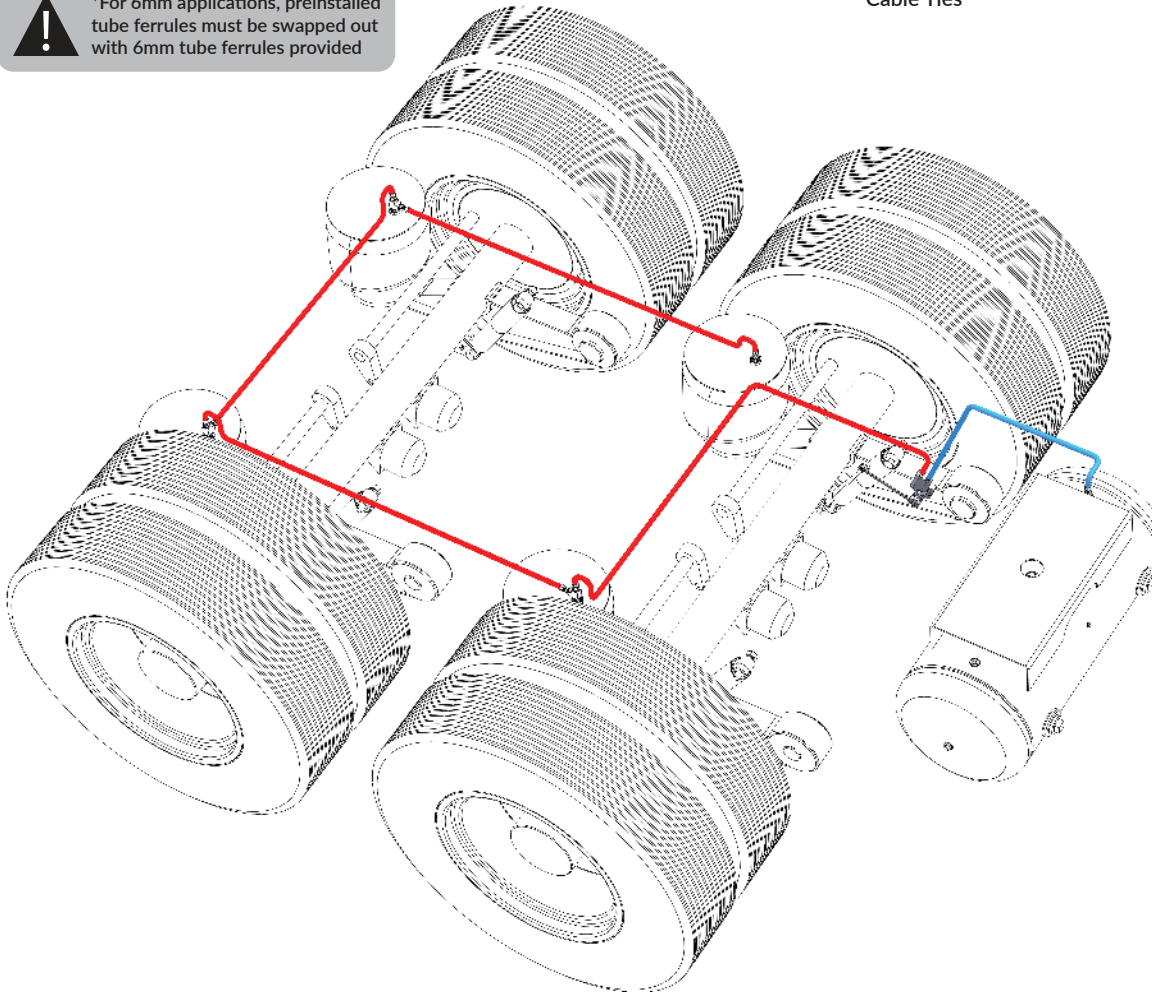


1/4" Tube to
Male NPT Elbow
(For 310 Series Gauges)



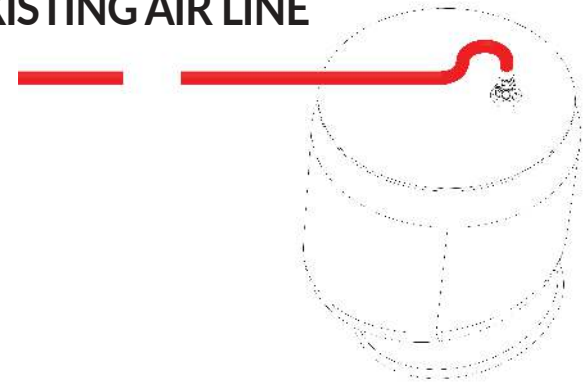
15 x 7"
Cable Ties

 *For 6mm applications, preinstalled tube ferrules must be swapped out with 6mm tube ferrules provided



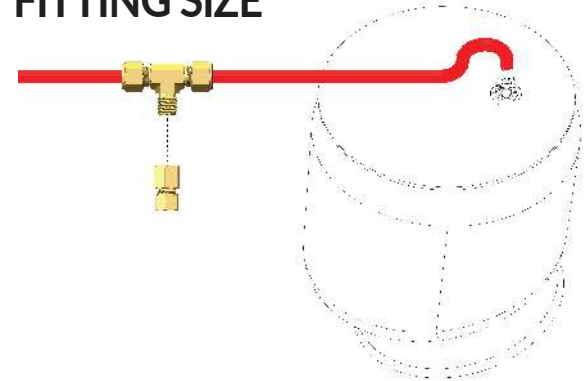
1 CUT EXISTING AIR LINE

Cut the air line going to one of the air bags in the suspension group to be monitored.



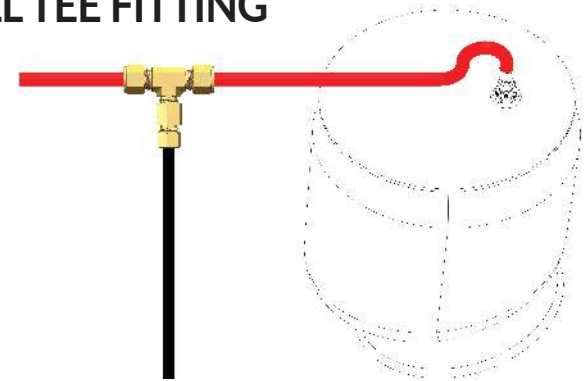
2 SELECT FITTING SIZE

Select the tee fitting that matches the size of the existing air line, then install the female NPT tube fitting onto the tee as shown. Use teflon tape or equivalent to seal threads, tighten securely.



3 INSTALL TEE FITTING

Insert the cut ends of the existing air line and the new 1/4" air line into the tee fitting assembly as shown. Tighten all three tube nuts securely.



4 ROUTE NEW AIR LINE TO GAUGE

Route the new 1/4" air line from the tee fitting assembly to the gauge. Secure air line with included zip ties. For 310 series, use 1/4" tube to Male NPT elbow included in kit to connect air line to gauge. For all other Right Weigh gauges, use the tube fitting included with the gauge.